

1/3" CCD Color Bullet camera (Weatherproof) - Super high Resolution -

Key Features

* Extremely high resolution 550TVL

Used with the latest Sony HQ1 DSP technology, the unit produces an extremely high resolution of 550TVL that is the highest ever in the market at the moment.

* Lens Exchangeable

The smart idea with user friendly housing mechanism make it possible to adapt a wide range of different focal lens. Installer can change the lens with no special skill, very easily without changing the camera in order to fix the exact angle of view and suitable focal distance.

VB21HQ-R 21'-92' AOV(3.6mm,4.3mm,6mm,8mm,12mm,16mm)

* Condensation free

Our weatherproof versions provide a perfect solution for moisture leakage problem against any harsh weather condition. The camera is assembled in a clear vacuum status and further protected to stop moisture or water smearing into the camera under the continuous heating and cooling conditions by the fluctuating sunny and rainy weather.

* True DN (Option)

The image is instantly changed from Color to BW at 5 lux (True Color at day and true BW at night). By this function, the horizontal and vertical resolution is greatly improved at night time mode and the low lux performance is improved a lot as well by utilizing the benefit of BW camera.

* Compact Size

Incorporating all innovative features, those are used with 1/3" CCD format and made with the world's smallest size.

* Beautiful design

Our fine craftsmanship reaches not only to the picture quality and compact size but also to the products GD(Good Design). All we manufacture have their own unique face and shape firstly aiming to best fit to the environment decorable to any place.

* Easy Installation

Universal type of mounting structure plus user friendly developed camera design provide a useful way of installation mountable to any place such as on the ceiling, on the wall, on the shelf or at the corner providing adjustable 360 degree of camera angle without permitting any invisible position.

* IR Sensitivity (Option)

Color CCD sensor is responsive to IR illumination at night and reproduce true coloration in the daytime.

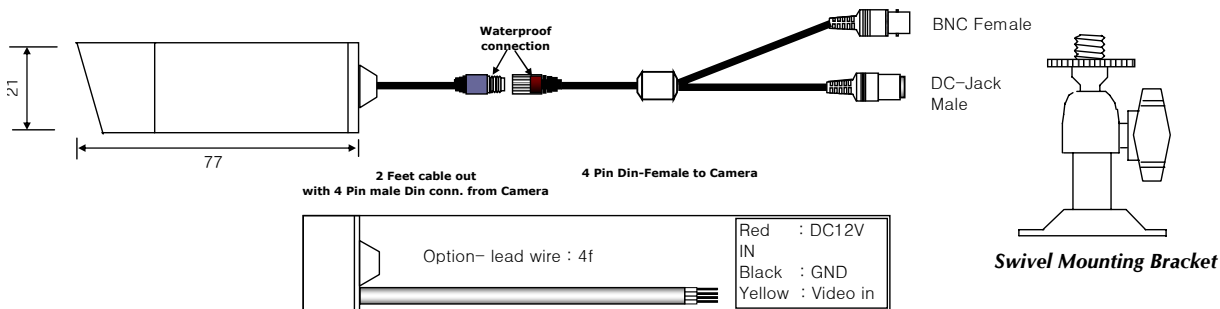
* Reverse Polarity protection built in

Option

External Audio with C-Mic

Sunroof

Dimension(mm) & Wiring



Specification

MODEL	VB21HQ-R43
Image sensor	1/3" Super HAD CCD
Effective Pixels	NTSC : 768(H)X494(V) PAL : 752(H)X582(V)
Min. Illumination	0.2Lux at F2.0
H.Resolution	550TVL
Synchronizing system	Internal
Scanning system	NTSC 525 Lines PAL 625 Lines
Video output	1.0Vp-p Composite. 75 Ohms
S/N ratio	More than 50 dB (AGC Off)
Gain Control	4dB~30dB Auto
Gamma correction	r=0.45
Shutter Speed	NTSC : 1/60 ~ 1/100,000 sec PAL : 1/50 ~ 1/100,000 sec
White Balance	Automatic(AWB)
Smear Effect	0.005%
MTBF	80,000 hours
Lens Standard	4.3mm(78°)
Option	3.6mm, 6mm, 8mm, 12mm, 16mm
Power source	12VDC
Operating current	130mA w/regulated 12VDC in
Operating Temperature	14° F~122° F (-10° C ~ + 50° C)
Output Terminal	2ft+4ft waterproof cable with BNC-Female for Video, DC Jack-Male for Power
Measurement (mm)	21(D)x77(L)
Weight(Approx.g)	180
Optional Feature 1	External Audio with C-Microphone " - 35dB / mV "
Optional Feature 2	Reverse(Mirror) Image
Optional Feature 3	Infra-Red Light sensitive without losing the true coloration at day light

External Audio kit Option

